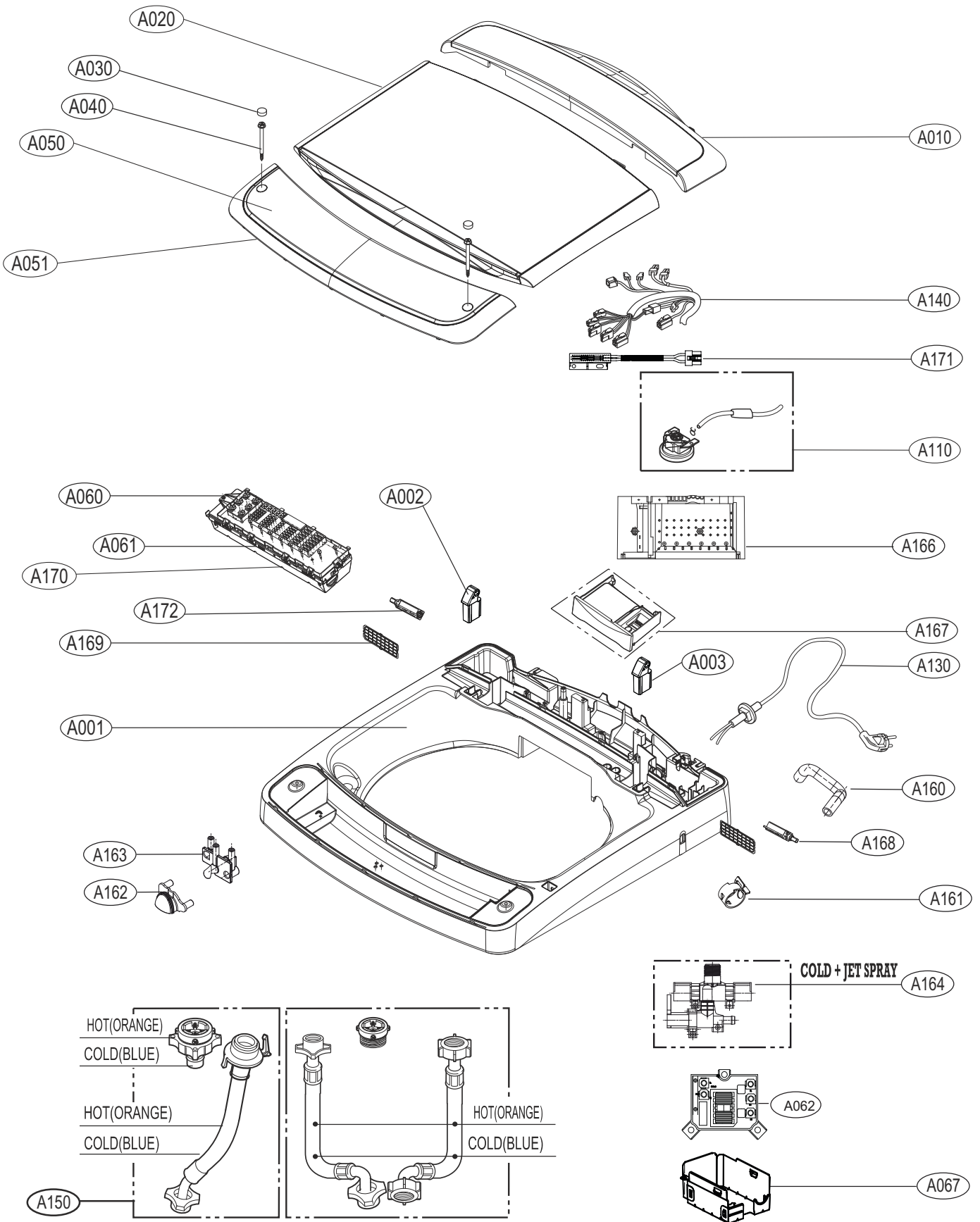
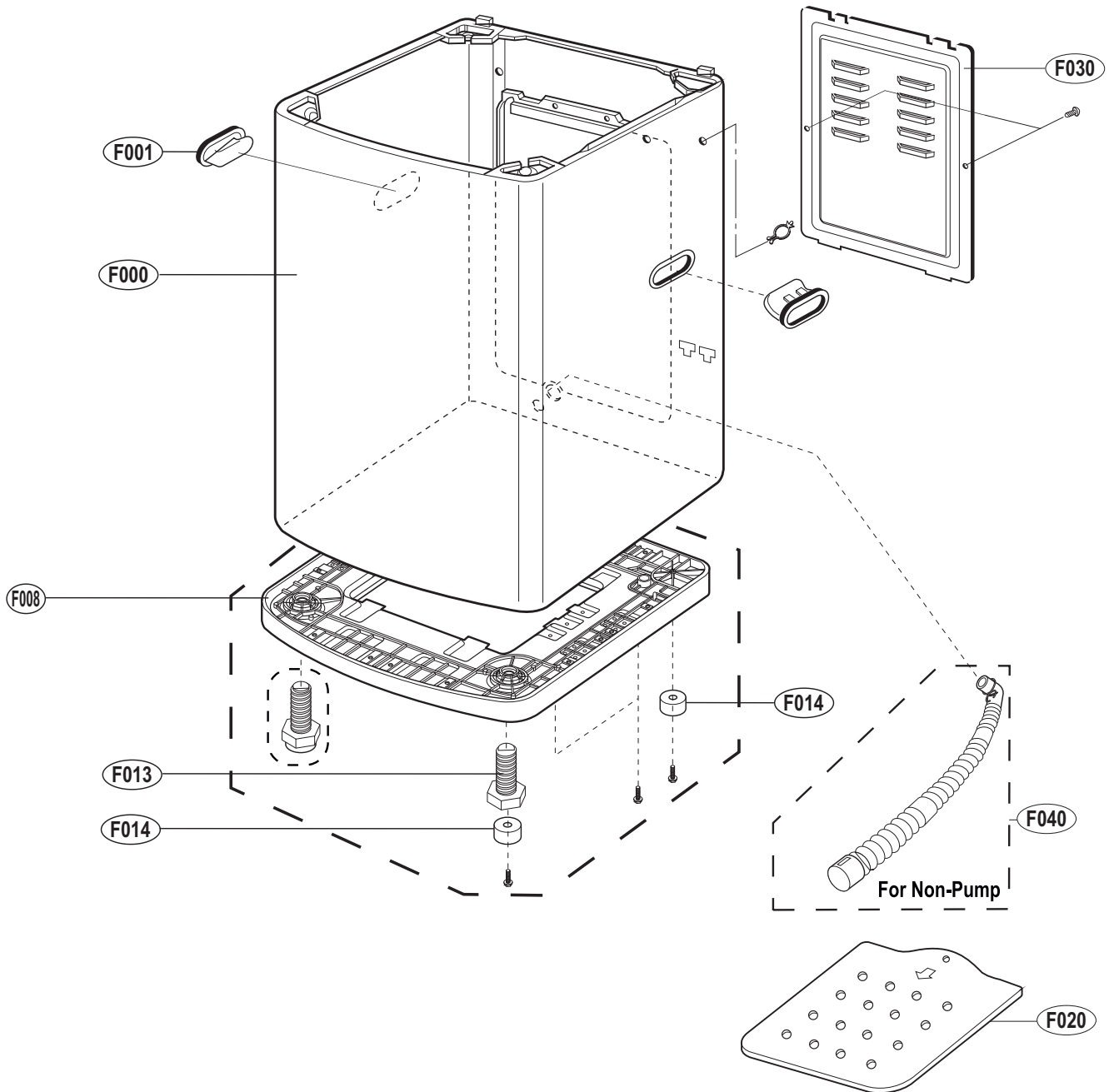


# 5-1. THE EXPLODED VIEW OF TOP COVER ASSEMBLY



## 5-2. THE EXPLODED VIEW OF OUT CASE ASSEMBLY

○ : Service Part



# 5-3. THE EXPLODED VIEW OF TUB ASSEMBLY

○ : Service Part

